



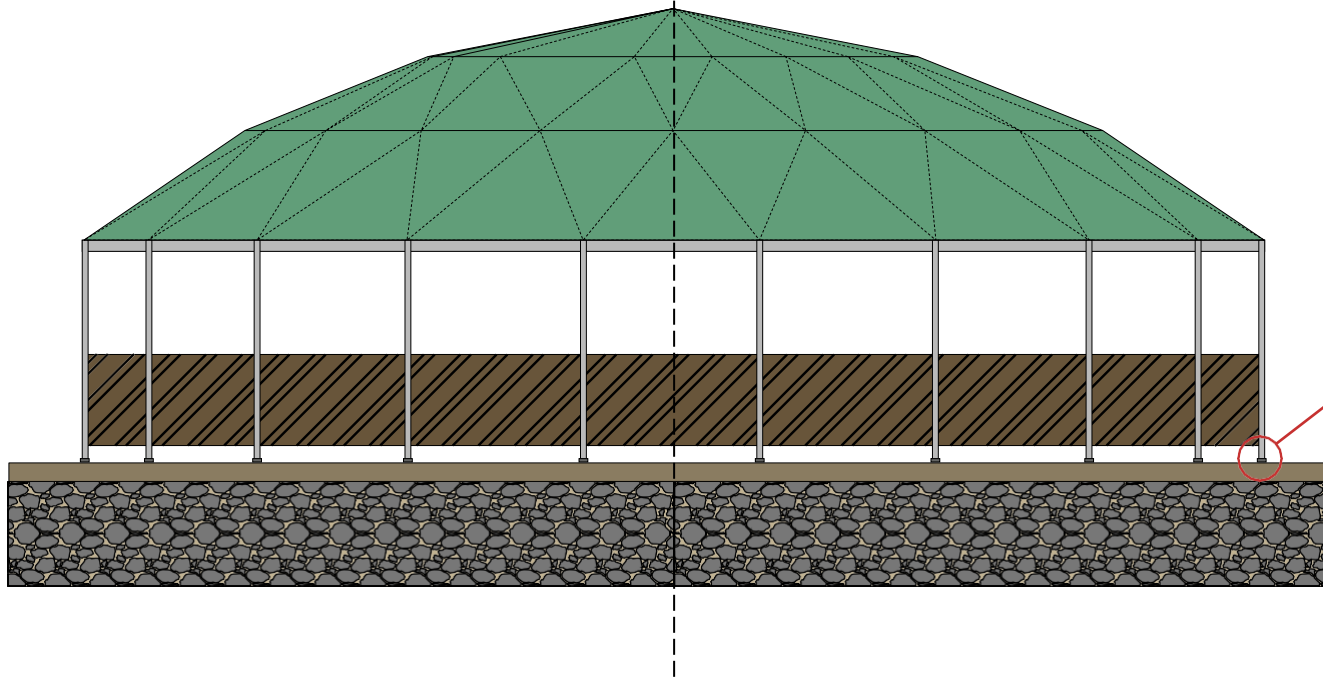
PESSASTUDIO

HORSE TECHNOLOGY

TECHNICAL SHEET

TECHNOHALLE ROUND PEN

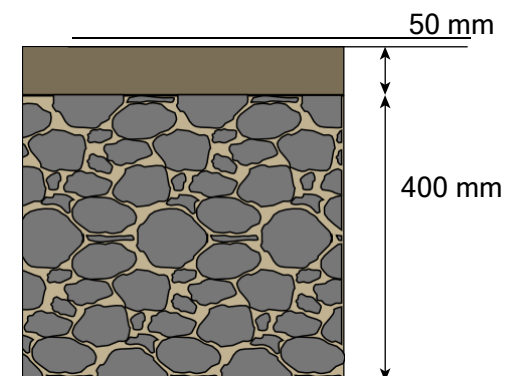
Front view



SUPPORT FOOT



GROUND PREPARATION



STABILIZED
(particle size 30–40 mm)
Pressed, wet, and rolled

PLASTER OR STONE CHIPS
(particle size 50–60 mm)
Pressed and rolled

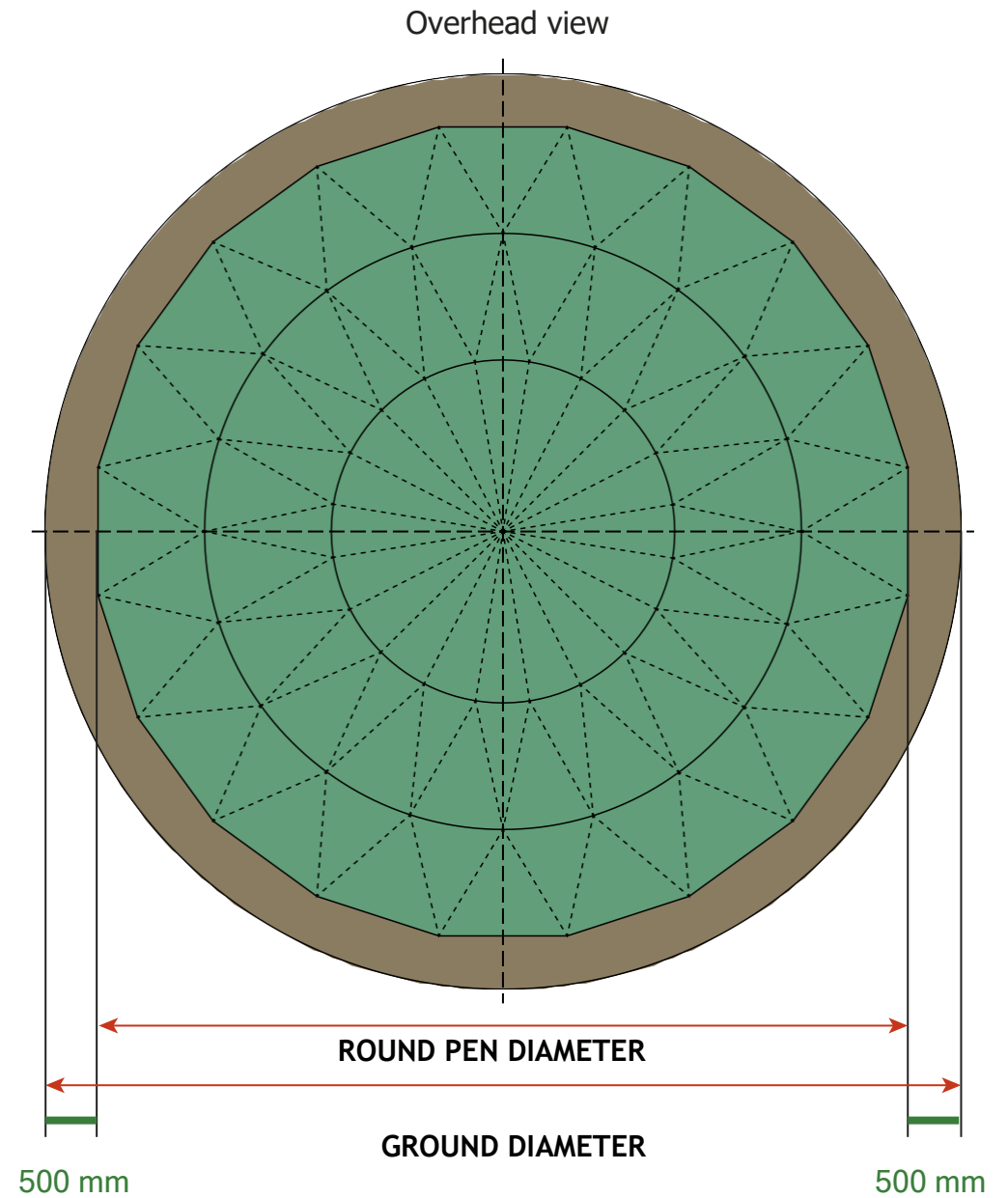


PESSASTUDIO
HORSE TECHNOLOGY

PESSASTUDIO Horse Technology srl
Via Ca Megliadino, 35 Montagnana (PD) - Italy
Tel. +39 0429 805613 - E-mail: annapessa@pessastudio.eu
www.pessastudio.eu

DIAMETER - TECHNOHALLE ROUND PEN

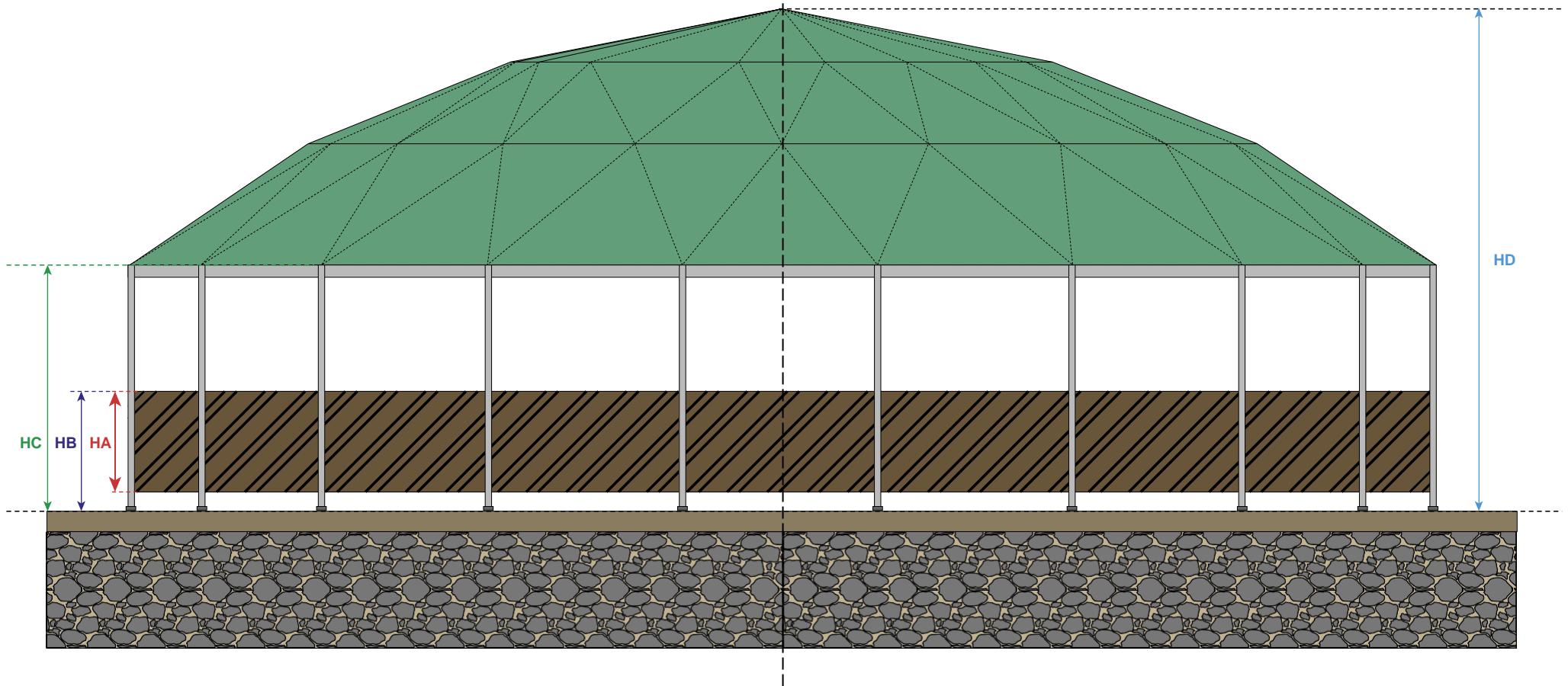
NO. OF PANELS	∅ ROUND PEN	∅ GROUND
16	13,200 mm	14,200 mm
18	15,000 mm	16,000 mm
20	16,600 mm	17,600 mm
22	18,300 mm	19,300 mm
24	19,900 mm	20,900 mm



The ground diameter must always be 1000 mm larger than the round pen diameter.
Allowable margin of error: max 100 mm



HEIGHT - TECHNOHALLE ROUND PEN



NO. OF PANELS	HA	HB	HC	HD
16	1250 mm	1500 mm	3000 mm	4754 mm
18	1250 mm	1500 mm	3000 mm	4754 mm
20	1250 mm	1500 mm	3000 mm	6500 mm
22	1250 mm	1500 mm	3000 mm	6560 mm
24	1250 mm	1500 mm	3000 mm	6567 mm

